



Dell™ PowerVault™ 200S and 210S
Storage Systems

**RACK INSTALLATION
GUIDE**

**Information in this document is subject to change without notice.
© 1999 Dell Computer Corporation. All rights reserved.**

Reproduction in any manner whatsoever without the written permission of Dell Computer Corporation is strictly forbidden.

Trademarks used in this text: *Dell*, the *DELL* logo, *PowerEdge*, and *PowerVault* are trademarks of Dell Computer Corporation.

Other trademarks and trade names may be used in this document to refer to either the entities claiming the marks and names or their products. Dell Computer Corporation disclaims any proprietary interest in trademarks and trade names other than its own.

November 1999 P/N 1251U Rev. A02



Safety Instructions

Use the following safety guidelines to ensure your own personal safety and to help protect your computer or storage system from potential damage.

Notes, Notices, Cautions, and Warnings

Throughout this guide, blocks of text may be accompanied by an icon and printed in bold type or in italic type. These blocks are notes, notices, cautions, and warnings, and they are used as follows:



NOTE: A NOTE indicates important information that helps you make better use of your computer system.

NOTICE: A NOTICE indicates either potential damage to hardware or loss of data and tells you how to avoid the problem.



CAUTION: A CAUTION indicates a potentially hazardous situation which, if not avoided, may result in minor or moderate injury.



WARNING: A WARNING indicates a potentially hazardous situation which, if not avoided, could result in death or serious bodily injury.



Safety Caution and Warnings

Observe the following caution and warnings while servicing this system:

CAUTION: There is a danger of a new battery exploding if it is incorrectly installed. Replace the battery only with the same or equivalent type recommended by the manufacturer. Discard used batteries according to the manufacturer's instructions.

WARNING: The power supplies in your computer or storage system may produce high voltages and energy hazards, which can cause bodily harm. Only trained service technicians are authorized to remove the computer covers and access any of the components inside the computer. This warning applies to Dell PowerEdge 4xxx or higher servers and Dell PowerVault 2xxS storage systems.

WARNING: This system may have more than one power supply cable. To reduce the risk of electrical shock, a trained service technician must disconnect all power supply cables before servicing the system.

DŮLEŽITÉ UPOZORNĚNÍ: Tento systém může mít více napájecích kabelů. Ke snížení rizika úrazu elektrickým proudem je nutné, aby školený servisní technik před prováděním servisu systému odpojil všechny napájecí kabely.

ADVARSEL: Dette system kan have mere end et strømforsyningskabel. For at reducere risikoen for elektrisk stød, bør en professionel servicetekniker frakoble alle strømforsyningskabler, før systemet serviceres.

VAROITUS: Tässä järjestelmässä voi olla useampi kuin yksi virtajohto. Sähköiskuvaaran pienentämiseksi ammattitaitoisen huoltohenkilön on irrotettava kaikki virtajohtot ennen järjestelmän huoltamista.

ПРЕДУПРЕЖДЕНИЕ: Данная система может иметь несколько кабелей электропитания. Во избежание электрического удара квалифицированный техник должен отключить все кабели электропитания прежде, чем приступить к обслуживанию системы.

OSTRZEŻENIE: System ten może mieć więcej niż jeden kabel zasilania. Aby zmniejszyć ryzyko porażenia prądem, przed naprawą lub konserwacją systemu wszystkie kable zasilania powinny być odłączone przez przeszkolonego technika obsługi.

ADVARSEL! Det er mulig at dette systemet har mer enn én strømledning. Unngå fare for støt: En erfaren servicetekniker må koble fra alle strømledninger før det utføres service på systemet.

WARNING: Detta system kan ha flera nätkablar. En behörig servicetekniker måste koppla loss alla nätkablar innan service utförs för att minska risken för elektriska stötar.



Additional Safety Precautions

To reduce the risk of bodily injury, electrical shock, fire, and damage to the equipment, observe the following precautions.

General Precautions

Observe the following general precautions for using and working with your system:

- Observe and follow service markings. Do not service any Dell product except as explained in your Dell system documentation. Opening or removing covers that are marked with the triangular symbol with a lightning bolt may expose you to electrical shock. Components inside these compartments should be serviced only by a Dell authorized service technician.

- If any of the following conditions occur, unplug the product from the electrical outlet and replace the part or contact your Dell authorized service provider:
 - The power cable, extension cord, or plug is damaged.
 - An object has fallen into the product.
 - The product has been exposed to water.
 - The product has been dropped or damaged.
 - The product does not operate correctly when you follow the operating instructions.
- Keep your system components away from radiators and heat sources. Also, do not block cooling vents.
- Do not spill food or liquids on your system components, and never operate the product in a wet environment. If the computer gets wet, see the appropriate chapter in your troubleshooting guide or contact a Dell-authorized service provider.
- Do not push any objects into the openings of your system components. Doing so can cause fire or electric shock by shorting out interior components.
- Use the product only with Dell products or other Dell-approved equipment.
- Allow the product to cool before removing covers or touching internal components.
- Use the correct external power source. Operate the product only from the type of power source indicated on the electrical ratings label. If you are not sure of the type of power source required, consult your Dell service provider or local power company.
- To help avoid damaging your system components, be sure the voltage selection switch (if provided) on the power supply is set to match the power available at your location:
 - 115 volts (V)/60 hertz (Hz) in most of North and South America and some Far Eastern countries such as South Korea and Taiwan
 - 100 V/50 Hz in eastern Japan and 100 V/60 Hz in western Japan
 - 230 V/50 Hz in most of Europe, the Middle East, and the Far East

Also be sure that your monitor and attached devices are electrically rated to operate with the power available in your location.
- Use only approved power cable(s). If you have not been provided with a power cable for your computer or storage system or for any AC-powered option intended for your system, purchase a power cable that is approved for use in your country. The power cable must be rated for the product and for the voltage and current marked on the product's electrical ratings label. The voltage and current rating of the cable should be greater than the ratings marked on the product.

- To help prevent electric shock, plug the system components and peripheral power cables into properly grounded electrical outlets. These cables are equipped with three-prong plugs to help ensure proper grounding. Do not use adapter plugs or remove the grounding prong from a cable. If you must use an extension cord, use a three-wire cord with properly grounded plugs.
- Observe extension cord and power strip ratings. Make sure that the total ampere rating of all products plugged into the extension cord or power strip does not exceed 80 percent of the extension cord or power strip ampere ratings limit.
- Do not use appliance/voltage converters or kits sold for appliances with your Dell product.
- To help protect your system components from sudden, transient increases and decreases in electrical power, use a surge suppressor, line conditioner, or uninterruptible power supply (UPS).
- Position cables and power cords carefully; route cables and the power cord and plug so that they cannot be stepped on or tripped over. Be sure that nothing rests on your system components' cables or power cord.
- Do not modify power cables or plugs. Consult a licensed electrician or your power company for site modifications. Always follow your local/national wiring rules.
- To help avoid possible damage to the system board, wait 5 seconds after turning off the system before removing a component from the system board or disconnecting a peripheral device from the computer.
- Handle batteries carefully. Do not disassemble, crush, puncture, short external contacts, dispose of in fire or water, or expose batteries to temperatures higher than 60 degrees Celsius (140 degrees Fahrenheit). Do not attempt to open or service batteries; replace batteries only with batteries designated for the product.
- Turn down the volume before using headphones or other audio devices.

Precautions for Server and Storage Systems

Observe the following additional safety guidelines for your system:

- Unless your installation and/or troubleshooting documentation specifically allows it, do not remove enclosure covers, attempt to override the safety interlocks, or access any components inside the system. Depending on your system, installation and repairs may be done only by individuals who are qualified to service your computer or storage system equipment and trained to deal with products capable of producing hazardous energy levels.
- When connecting or disconnecting power to hot-pluggable power supplies, if offered with your Dell product, observe the following guidelines:
 - Install the power supply before connecting the power cable to the power supply.
 - Unplug the power cable before removing the power supply.
 - If the system has multiple sources of power, disconnect power from the system by unplugging *all* power cables from the power supplies.

- Move products with care; ensure that all casters and/or stabilizers are firmly connected to the computer or storage system. Avoid sudden stops and uneven surfaces.

Precautions for Rack-Mountable Products

Observe the following precautions for rack stability and safety. Also refer to the rack installation documentation accompanying the system and the rack for specific warning and/or caution statements and procedures.



WARNING: Installing Dell system components in a Dell rack without the front and side stabilizers installed could cause the rack to tip over, potentially resulting in bodily injury under certain circumstances. Therefore, always install the stabilizers before installing components in the rack.

After installing system components in a rack, never pull more than one component out of the rack on its slide assemblies at one time. The weight of more than one extended component could cause the rack to tip over and injure someone.



NOTE: Dell's server and storage systems are certified as components for use in Dell's rack cabinet using the Dell customer rack kit. The final installation of Dell systems and rack kits in any other brand of rack cabinet has not been approved by any safety agencies. It is the customer's responsibility to have the final combination of Dell systems and rack kits for use in other brands of rack cabinets evaluated for suitability by a certified safety agency.

- System rack kits are intended to be installed in a Dell rack by trained service technicians. If you install the kit in any other rack, be sure that the rack meets the specifications of a Dell rack.
- Do not move large racks by yourself. Due to the height and weight of the rack, Dell recommends a minimum of two people to accomplish this task.
- Before working on the rack, make sure that the stabilizers are secure to the rack, extend to the floor, and that the full weight of the rack rests on the floor. Install front and side stabilizers on a single rack or front stabilizers for joined multiple racks before working on the rack.
- Always load the rack from the bottom up, and load the heaviest item in the rack first.
- Make sure that the rack is level and stable before extending a component from the rack.
- Extend only one component at a time from the rack.
- Use caution when pressing the component rail release latches and sliding a component into or out of a rack; the slide rails can pinch your fingers.
- After a component is inserted into the rack, carefully extend the rail into a locking position, and then slide the component into the rack.
- Do not overload the AC supply branch circuit that provides power to the rack. The total rack load should not exceed 80 percent of the branch circuit rating.
- Ensure that proper airflow is provided to components in the rack.

- Do not step on or stand on any system/component when servicing other systems/components in a rack.

Precautions for Products With Modems, Telecommunications, or Local Area Network Options

Observe the following guidelines when working with options:

- Do not connect or use a modem or telephone during a lightning storm. There may be a risk of electrical shock from lightning.
- Never connect or use a modem or telephone in a wet environment.
- Do not plug a modem or telephone cable into the network interface controller (NIC) receptacle.
- Disconnect the modem cable before opening a product enclosure, touching or installing internal components, or touching an uninsulated modem cable or jack.
- Do not use a telephone line to report a gas leak while you are in the vicinity of the leak.

Precautions for Products With Laser Devices

Observe the following precautions for laser devices:

- Do not open any panels, operate controls, make adjustments, or perform procedures on a laser device other than those specified in the product's documentation.
- Only authorized service technicians should repair laser devices.

When Working Inside Your Computer

Before you remove the computer covers, perform the following steps in the sequence indicated.

NOTICE: Some Dell systems can be serviced only by trained service technicians because of high voltages and energy hazards. Do not attempt to service the computer system yourself, except as explained in this guide and elsewhere in Dell documentation. Always follow installation and service instructions closely.

NOTICE: To help avoid possible damage to the system board, wait 5 seconds after turning off the system before removing a component from the system board or disconnecting a peripheral device from the computer.

1. Turn off your computer and any devices.
2. Ground yourself by touching an unpainted metal surface on the chassis, such as the metal around the card-slot openings at the back of the computer, before touching anything inside your computer.

While you work, periodically touch an unpainted metal surface on the computer chassis to dissipate any static electricity that might harm internal components.

3. Disconnect your computer and devices from their power sources. Also, disconnect any telephone or telecommunication lines from the computer.

Doing so reduces the potential for personal injury or shock.

In addition, take note of these safety guidelines when appropriate:

- When you disconnect a cable, pull on its connector or on its strain-relief loop, not on the cable itself. Some cables have a connector with locking tabs; if you are disconnecting this type of cable, press in on the locking tabs before disconnecting the cable. As you pull connectors apart, keep them evenly aligned to avoid bending any connector pins. Also, before you connect a cable, make sure that both connectors are correctly oriented and aligned.
- Handle components and cards with care. Don't touch the components or contacts on a card. Hold a card by its edges or by its metal mounting bracket. Hold a component such as a microprocessor chip by its edges, not by its pins.



CAUTION: There is a danger of a new battery exploding if it is incorrectly installed. Replace the battery only with the same or equivalent type recommended by the manufacturer. Discard used batteries according to the manufacturer's instructions.

Protecting Against Electrostatic Discharge

Static electricity can harm delicate components inside your computer. To prevent static damage, discharge static electricity from your body before you touch any of your computer's electronic components, such as the microprocessor. You can do so by touching an unpainted metal surface on the computer chassis.

As you continue to work inside the computer, periodically touch an unpainted metal surface to remove any static charge your body may have accumulated.

You can also take the following steps to prevent damage from electrostatic discharge (ESD):

- When unpacking a static-sensitive component from its shipping carton, do not remove the component from the antistatic packing material until you are ready to install the component in your computer. Just before unwrapping the antistatic packaging, be sure to discharge static electricity from your body.
- When transporting a sensitive component, first place it in an antistatic container or packaging.
- Handle all sensitive components in a static-safe area. If possible, use antistatic floor pads and workbench pads.

The following notice may appear throughout this document to remind you of these precautions:

NOTICE: See "Protecting Against Electrostatic Discharge" in the safety instructions at the front of this guide.

Ergonomic Computing Habits



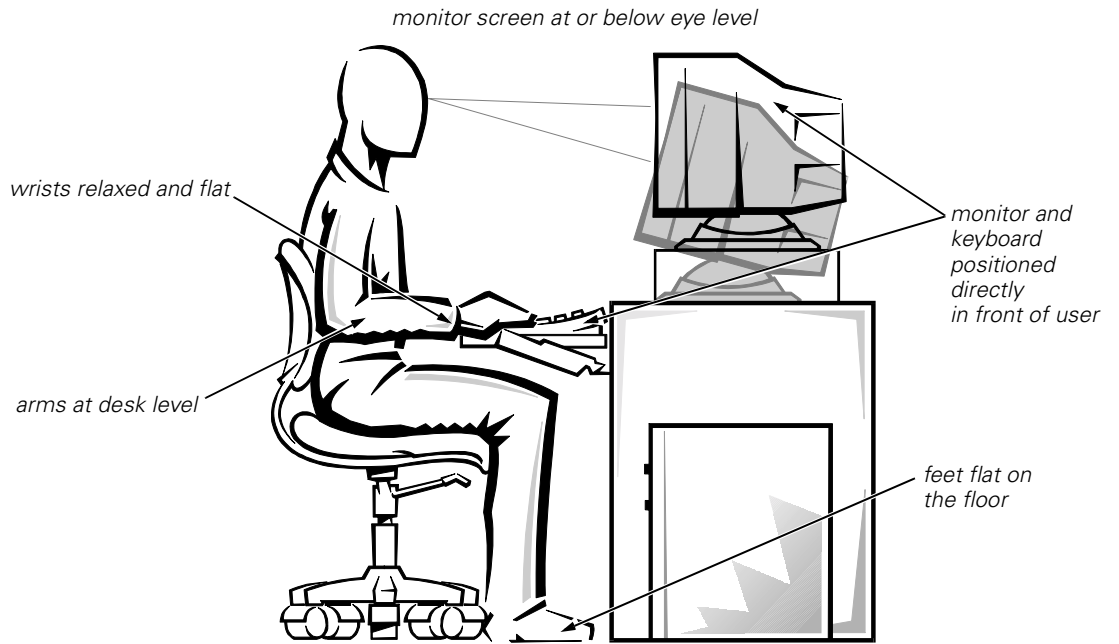
CAUTION: Improper or prolonged keyboard use may result in injury.



CAUTION: Viewing the monitor screen for extended periods of time may result in eye strain.

For comfort and efficiency, observe the following ergonomic guidelines when you set up and use your computer system:

- Position your system so that the monitor and keyboard are directly in front of you as you work. Special shelves are available (from Dell and other sources) to help you correctly position your keyboard.
- Set the monitor at a comfortable viewing distance (usually 510 to 610 millimeters [20 to 24 inches] from your eyes).
- Make sure that the monitor screen is at eye level or slightly lower when you sit in front of the monitor.
- Adjust the tilt of the monitor, its contrast and brightness settings, and the lighting around you (such as overhead lights, desk lamps, and the curtains or blinds on nearby windows) to minimize reflections and glare on the monitor screen.
- Use a chair that provides good lower back support.
- Keep your forearms horizontal with your wrists in a neutral, comfortable position while you use the keyboard or mouse.
- Always leave space to rest your hands while you use the keyboard or mouse.
- Let your upper arms hang naturally at your sides.
- Sit erect, with your feet resting on the floor and your thighs level.
- When sitting, make sure the weight of your legs is on your feet and not on the front of your chair seat. Adjust your chair's height or use a footrest, if necessary, to maintain proper posture.
- Vary your work activities. Try to organize your work so that you do not have to type for extended periods of time. When you stop typing, try to do things that use both hands.





Contents

Rack Kit Contents	1-1
Before You Begin	1-2
Recommended Tools	1-2
Installing the Rack Kit	1-3
Removing the Doors From a 24-U or 42-U Rack	1-3
Installing the Rail Assemblies in the Rack	1-6
Installing the Mounting Ears	1-10
Installing the Storage System in the Rack	1-11
Replacing the Doors	1-12

Figures

Figure 1-1. Rack Kit Contents	1-2
Figure 1-2. Opening the 24-U Rack Cabinet Front Door Latch	1-3
Figure 1-3. Opening the 42-U Rack Cabinet Front Door Latch	1-4
Figure 1-4. Removing the 24-U Rack Cabinet Doors	1-5
Figure 1-5. Removing the 42-U Rack Cabinet Doors	1-6
Figure 1-6. Adjustable Rail-Mounting Flange	1-7
Figure 1-7. Attaching the Support Rail Assembly to the Front Vertical Rail	1-8
Figure 1-8. Attaching the Support Rail Assembly to the Back Vertical Rail	1-9
Figure 1-9. Installing the Mounting Ears	1-10
Figure 1-10. Installing the Storage System in the Rack	1-11



Dell™ PowerVault™ 200S and 210S Storage Systems Rack Installation Guide

This document provides instructions for trained service technicians installing Dell PowerVault 200S and 210S storage systems in a Dell rack. For information on the stand-alone configuration, see your *Installation and Service Guide*.

A rack installation kit is available from Dell for installing one or more storage systems in a Dell rack or other racks that meet the requirements of ANSI/EIA-310-D-92, International Electrotechnical Commission (IEC) 297, and *Deutsche Industrie Norm (DIN)* 41494. One rack kit is required for each storage system that you install in the rack.

Rack Kit Contents

The rack kit includes the following items (see Figure 1-1).



NOTE: Some parts may be preinstalled if you ordered a rack-mounted system.

- Eight 10-32 x 1/2-inch Phillips flat-head screws
- Four 10-32 x 1/2-inch Phillips pan-head screws
- Four 6-32 x 3/8-inch Phillips flat-head screws
- Eight conical metal washers
- Two adjustable rail-mounting flanges (a pair)
- Two mounting ears (a pair)
- Two support rails (a pair)

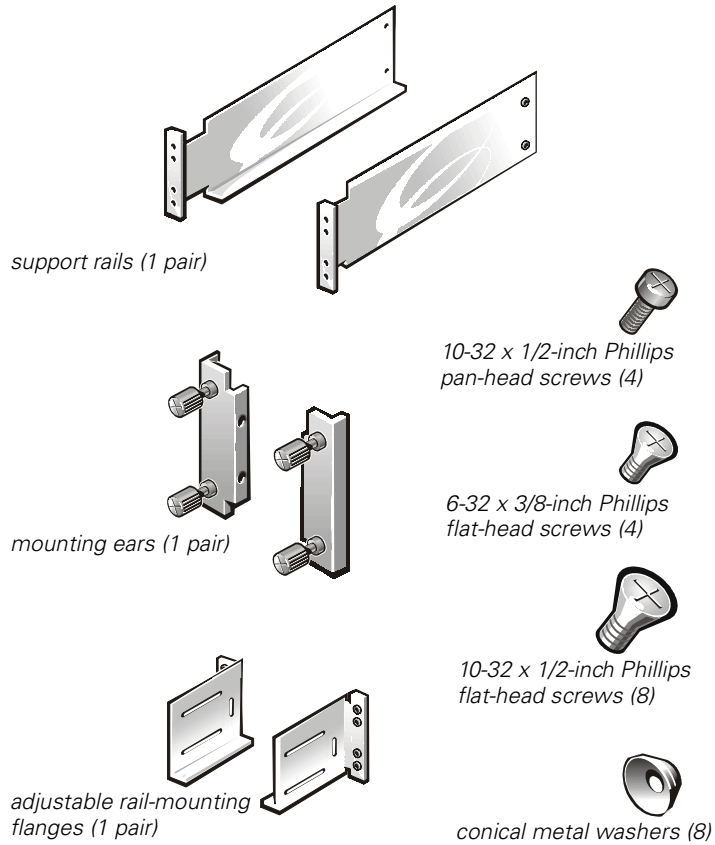


Figure 1-1. Rack Kit Contents

Before You Begin

Before you begin installing your PowerVault system in the rack, carefully read the safety precautions at the front of this guide and tool requirements in the following subsection.

Recommended Tools

To install the rack kit in the rack, you will need a #2 Phillips-head screwdriver.

Installing the Rack Kit



NOTE: These instructions detail installation for a Dell rack. Installation in a non-Dell rack that meets Dell specifications may differ.

To install the rack kit in the rack, perform the following tasks:

- Remove the doors from the rack.
- Install the rail assemblies in the rack.

The subsections that follow include instructions for performing these tasks.

Removing the Doors From a 24-U or 42-U Rack

You must remove the doors from the rack to provide access to the interior of the rack and to prevent damage to the doors while installing the storage system. Use the following procedure to remove the doors.



CAUTION: To prevent personal injury due to the size and weight of the doors, never attempt to remove the doors by yourself.

1. Open the latch on the front door. If you have a 24-U (1 U=1.75-inches) rack cabinet, unlock and twist the handle clockwise and open the door (see Figure 1-2).

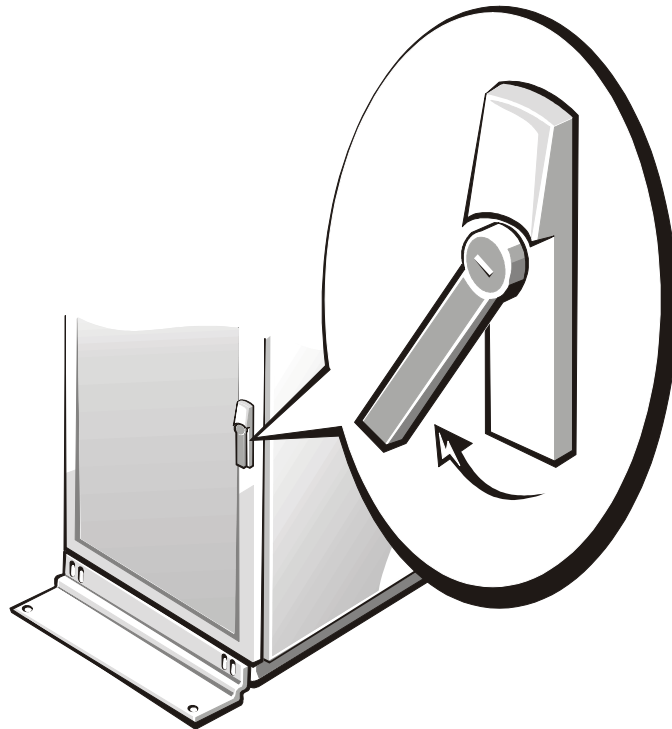


Figure 1-2. Opening the 24-U Rack Cabinet Front Door Latch

If you have a 42-U rack cabinet, slide the latch's push-button cover up as far as it will go, press the push button, rotate the handle clockwise until the latch releases, and then pull the door open (see Figure 1-3).

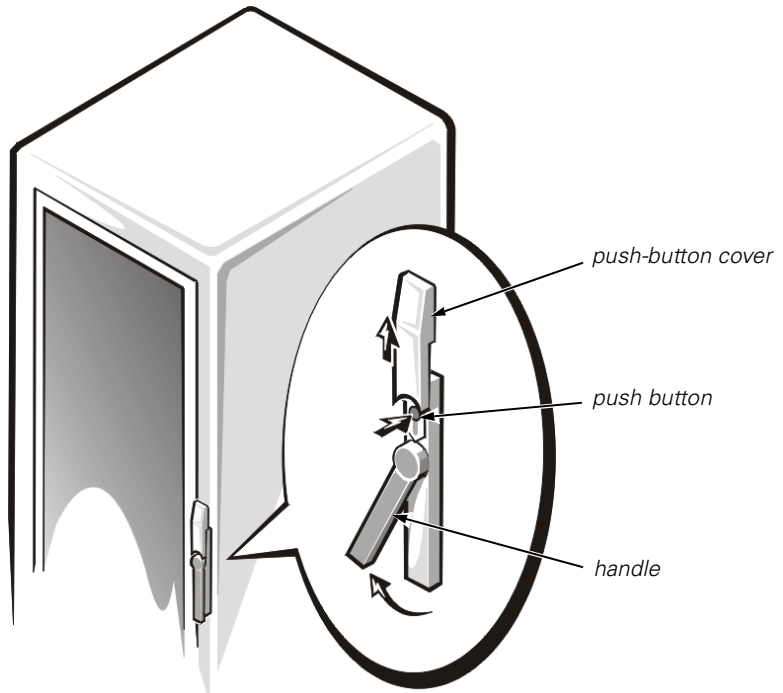


Figure 1-3. Opening the 42-U Rack Cabinet Front Door Latch

2. Remove the front door of the rack.

If you have a 24-U rack cabinet, perform the following steps to remove the front door (see Figure 1-4):

- a. With the door open, lift out and fully retract all hinge pins.
- b. Lift the door out carefully.

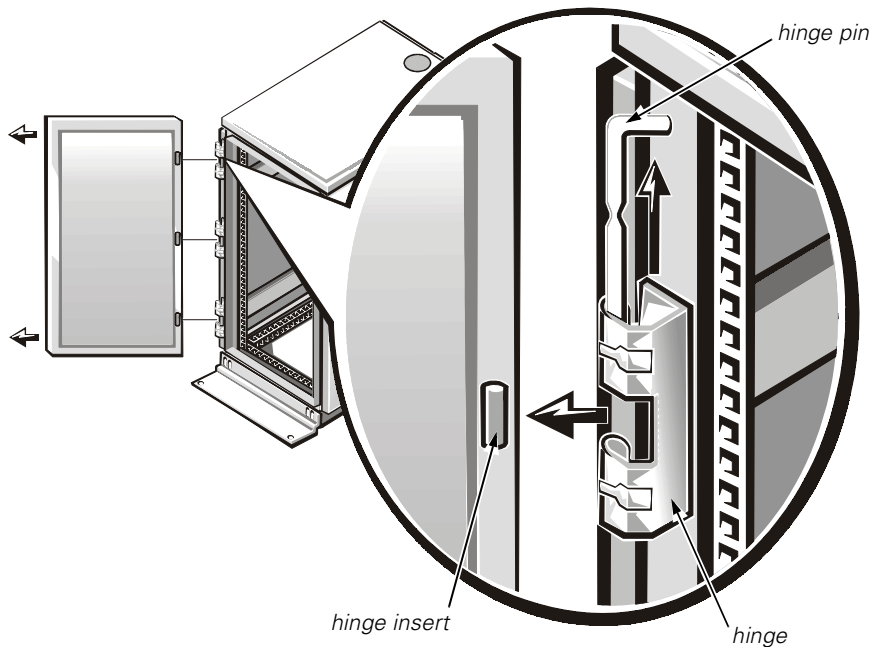


Figure 1-4. Removing the 24-U Rack Cabinet Doors

If you have a 42-U rack cabinet, perform the following steps to remove the front door (see Figure 1-5):

- a. One person should grasp the top of the door to stabilize it. The other person should grasp the bottom of the door.
- b. The person holding the bottom of the door should press the release lever on the bottom hinge and then pull the bottom of the door away from the rack cabinet a few inches.
- c. The person holding the top of the door should press the release lever on the top hinge and then pull the door away from the rack.

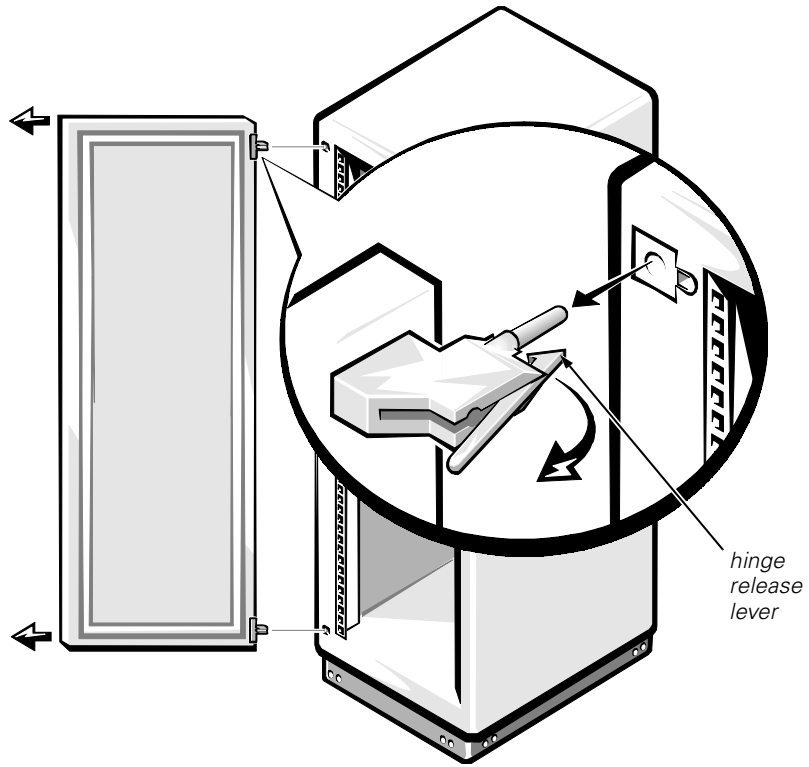


Figure 1-5. Removing the 42-U Rack Cabinet Doors

Repeat steps 1 and 2 to remove the back door from the rack.

Store the doors in an area where they will not fall over while you install the kit.

Installing the Rail Assemblies in the Rack



WARNING: If you are installing more than one storage system, install the first storage system in the lowest position to help prevent the rack from tipping and injuring someone when the storage system is pulled out of the rack on the rail assemblies.

To install the rail assemblies in the rack, perform the following steps:

1. Ensure that there is enough room in the rack to install the storage system.

The storage system takes 5.25 inches (3Us) of vertical space.

2. If the two adjustable rail-mounting flanges are not already attached to the support rails, attach one flange to each of the support rails using two 10-32 x 1/2-inch pan-head screws, as shown in Figure 1-6. Do not tighten the screws at this time.

If the two rail-mounting flanges are already attached to the support rails, ensure that the two 10-32 pan-head screws are slightly loose, allowing the flanges to slide freely.

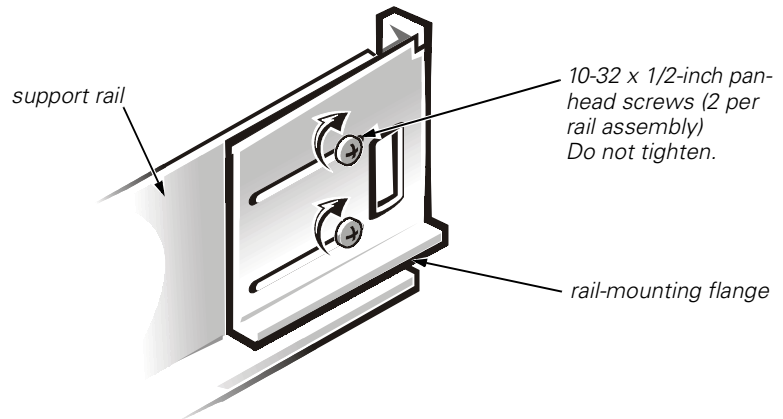


Figure 1-6. Adjustable Rail-Mounting Flange

3. Place the flange of the support rail assembly behind the right-front vertical rail of the rack. Thread two 10-32 x 1/2-inch flat-head screws with a conical washer and push them through the front vertical rail of the rack and into the two center-most screw holes of the rail-mounting flange (see Figure 1-7). Ensure that the rail is centered vertically within the 3-U mounting area.

Tighten the screws. Ensure that the full surface of the rail-mounting flange comes in contact with the surface of the vertical rail.

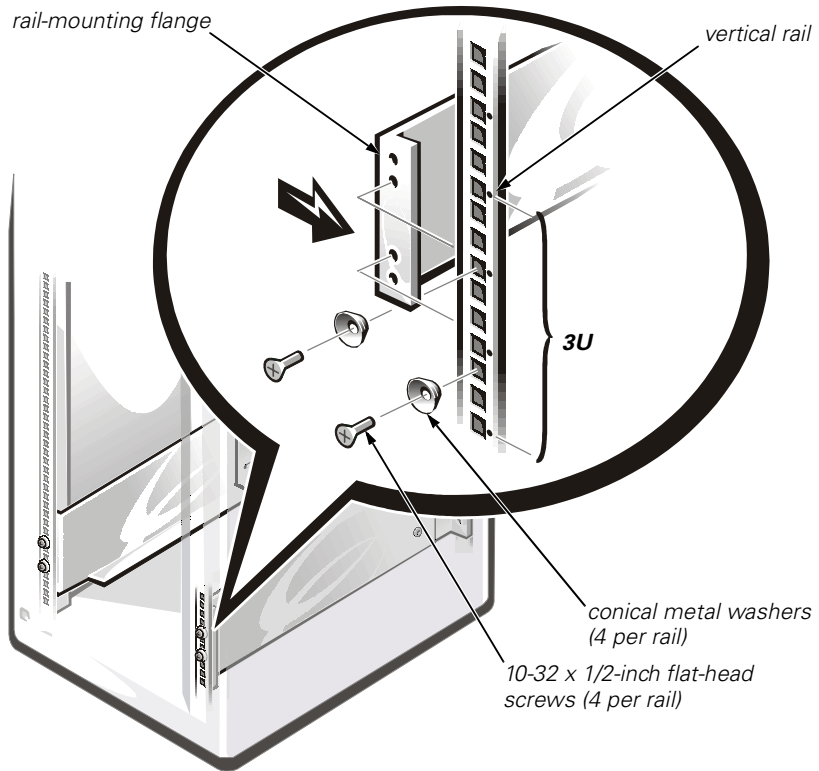


Figure 1-7. Attaching the Support Rail Assembly to the Front Vertical Rail

4. Slide the adjustable rail-mounting flange out until it meets the back vertical rail of the rack. Ensure that the rail is level from front to back.
5. Thread two 10-32 x 1/2-inch flat-head screws with a conical metal washer and push them through the back vertical rail of the rack and into the two holes of the adjustable rail-mounting flange (see Figure 1-8). Tighten the two screws.

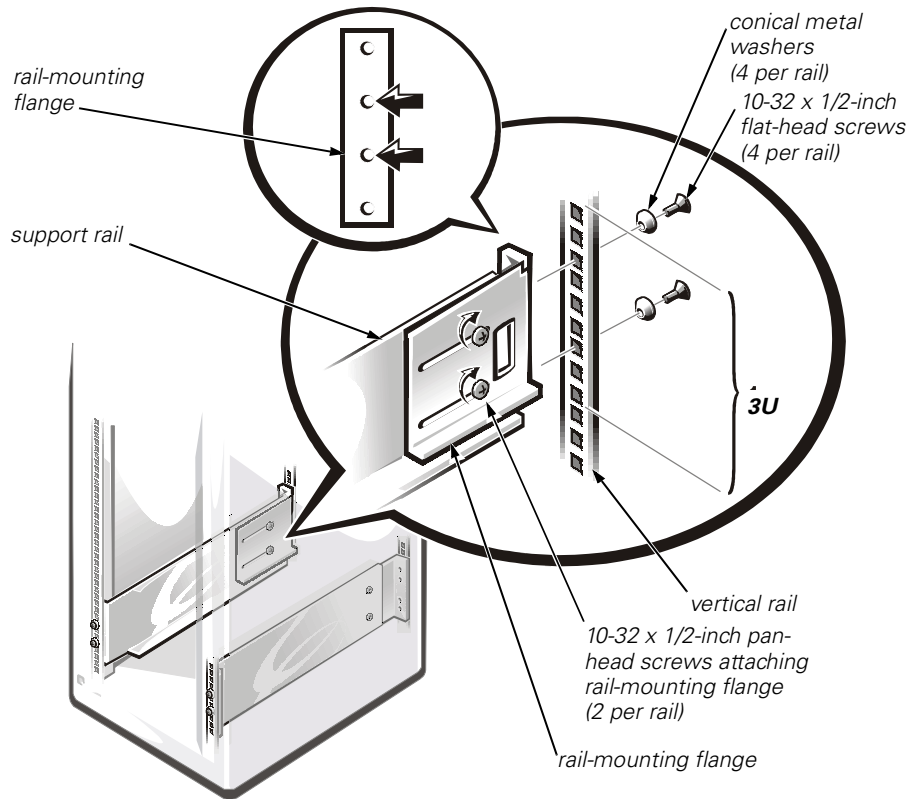


Figure 1-8. Attaching the Support Rail Assembly to the Back Vertical Rail

6. Tighten the two 10-32 x 1/2-inch pan-head screws that attach the adjustable rail-mounting flange to the support rail (see Figure 1-8).
7. Repeat steps 2 through 6 to install the second support rail.

Installing the Mounting Ears



NOTE: Some parts may be preinstalled.

To install the mounting ears onto the sides of the storage system, perform the following steps:

1. Locate the slot at the front-right side of the storage system.
2. Insert a mounting ear into the slot (see Figure 1-9).

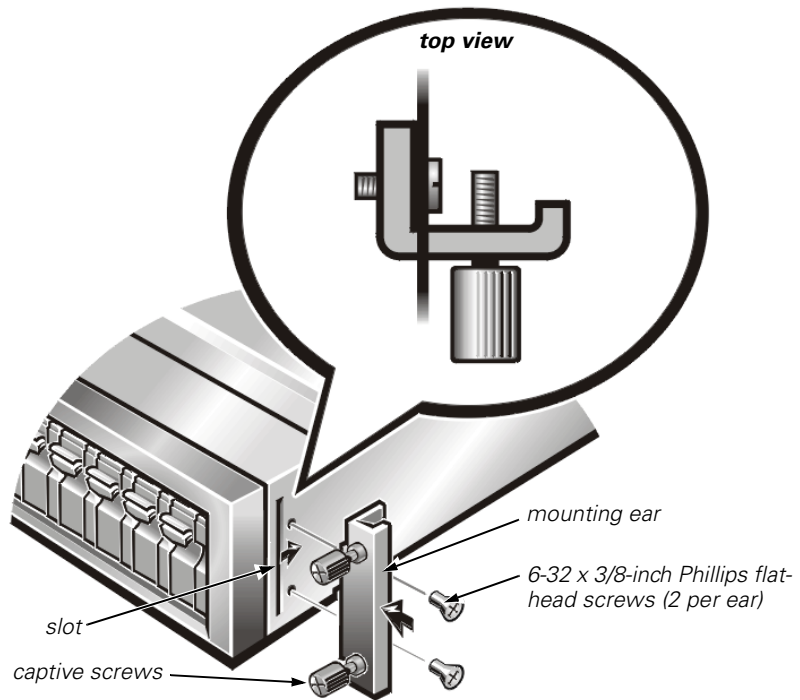


Figure 1-9. Installing the Mounting Ears

3. Thread two 6-32 x 3/8-inch Phillips flat-head screws through the storage system housing and into the mounting ear (see the top view in Figure 1-9). You may need to shift the mounting ear to thread the screws correctly into the holes of the mounting ear.
4. Use a Phillips-head screwdriver to tighten the screws.
5. Repeat steps 1 through 4 to install the left mounting ear.

Installing the Storage System in the Rack

To install the storage system in the rack, perform the following steps.



CAUTION: The storage system weighs approximately 34.0 kilograms (kg) (75.0 pounds [lb]) when fully loaded. To prevent personal injury, use the help of another person when lifting and inserting the storage system's rails into the rail assemblies.

1. Lift the storage system into position, and insert the storage system's rails into the channels of the interior slides (see Figure 1-10).

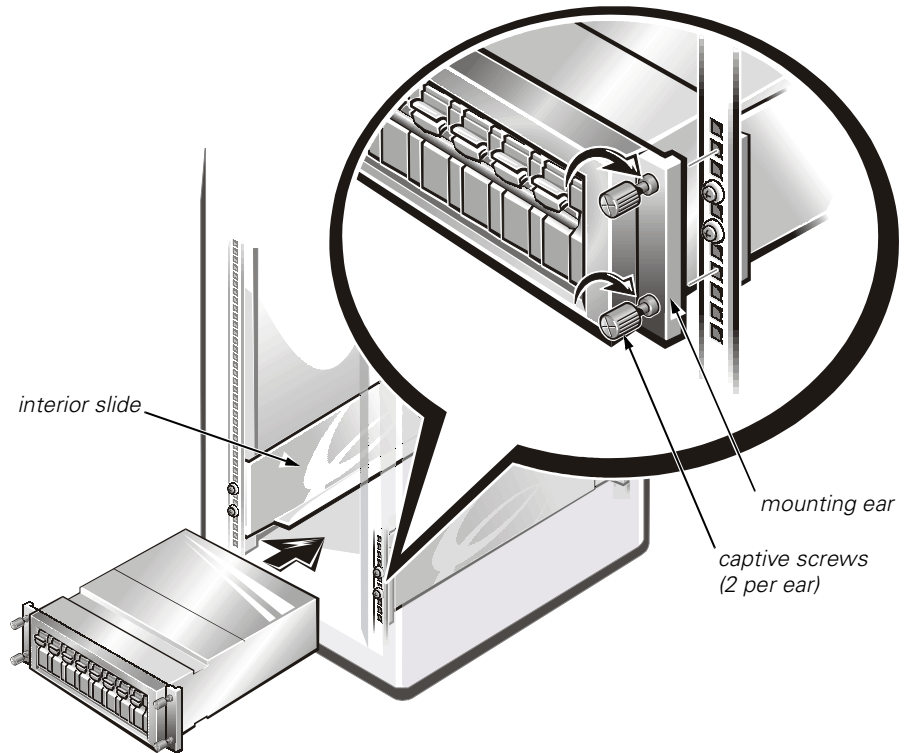


Figure 1-10. Installing the Storage System in the Rack

2. To secure the storage system to the rack, use a Phillips-head screwdriver to tighten the four captive screws on the mounting ears of the storage system. Ensure that the screws pass through the holes of the front vertical rail of the rack and into the threaded holes of the mounting-bracket flange (see Figure 1-10).
3. Perform the steps for connecting your storage system to the host computer as described in your *Installation and Service Guide*.

Replacing the Doors



CAUTION: To prevent personal injury due to the size and weight of the doors, never attempt to remove or replace the doors by yourself.

To replace the 24-U rack's front and back doors, perform the following steps:

1. Lift the front door into position and align the hinges with the hinge insert in the rack as shown in Figure 1-4.
2. Slide the hinge pins into the hinge insert in the rack until the hinges lock into position.
3. Verify that the hinges are latched.
4. Close the door latch by rotating the handle counterclockwise until it stops (see Figure 1-2).
5. Repeat steps 1 through 4 to replace the back door.

To replace the 42-U rack's front and back doors, perform the following steps:

1. Lift the front door into position and align the hinges with the holes in the rack as shown in Figure 1-5.
2. Slide the hinges into the holes in the rack until the hinge release levers lock the hinges into position.
3. Verify that the hinges are latched.
4. Close the door latch by rotating the handle counterclockwise until it stops, push in the handle until it locks in position, and slide the cover down over the push button (see Figure 1-3).
5. Repeat steps 1 through 4 to replace the back door.